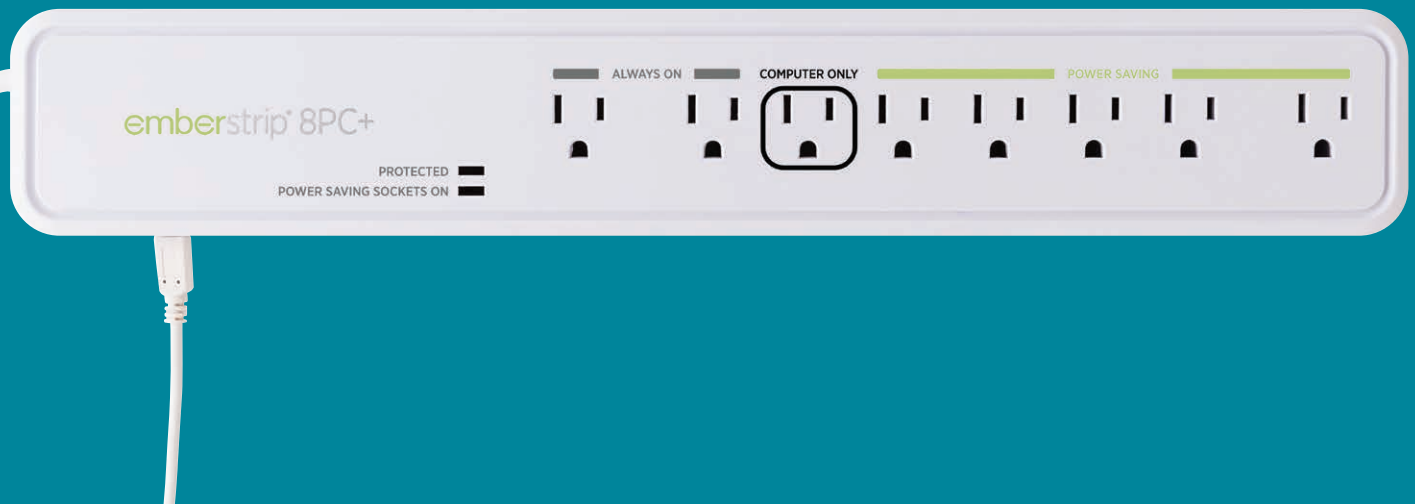


Pioneers of TIER 2 APS

The Embertec Emberstrip® 8PC+ Advanced Power Strip (APS) is the highest quality energy saving APS available worldwide designed for PC/IT environments. Featuring the Embertec invented Active Powerdown® and a superior 64k microprocessor, the Emberstrip® 8PC+ delivers class leading reliability and performance with proven customer satisfaction. Emberstrip® 8PC+ saves wasted power from both the computer itself and it's connected peripherals.



Tested on humans

Your customers don't live in laboratories, so why test Tier 2 APS in one?

Embertec has the only Tier 2 APS independently field trialled by utilities. Our energy saving claims are proven in the only place they should be – in real homes and businesses. Our products easily meet the highest international standards.

Guaranteed surge protection

Embertec The Emberstrip® 8PC+ has surge protection rated to 1,530 Joules and 39,000 Amps.

Embertec warrants all surge claims for any equipment connected directly through the Emberstrip® 8PC+.

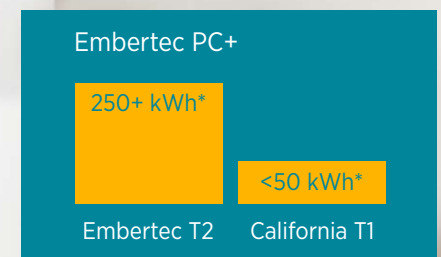
Emberstrip® 8PC+

ESUSPC8-ET-10

embertec®



Intelligence Driven Savings



*Independently verified by utilities, these statistics show the actual savings in residential homes and commercial offices.

Easy to install

- Designed for a fast, no-fuss home installation into PC/Information Technology environments
- Works with both laptop and desktop PCs
- Downloadable software

Core energy saving and product retention features

- A 64K advanced microprocessor that delivers superior control and high capacity analytics
- Power monitoring circuit (sensing Current and Voltage) for reliable control
- Works and adjusts to all PC equipment types automatically
- Adjustable Active Powerdown® timer control
- Five controllable device outlets, two Always On outlets and one Computer outlet.
- The only advanced power strip product that works with all types of desktop and laptop PCs

Lifetime Protection Warranty

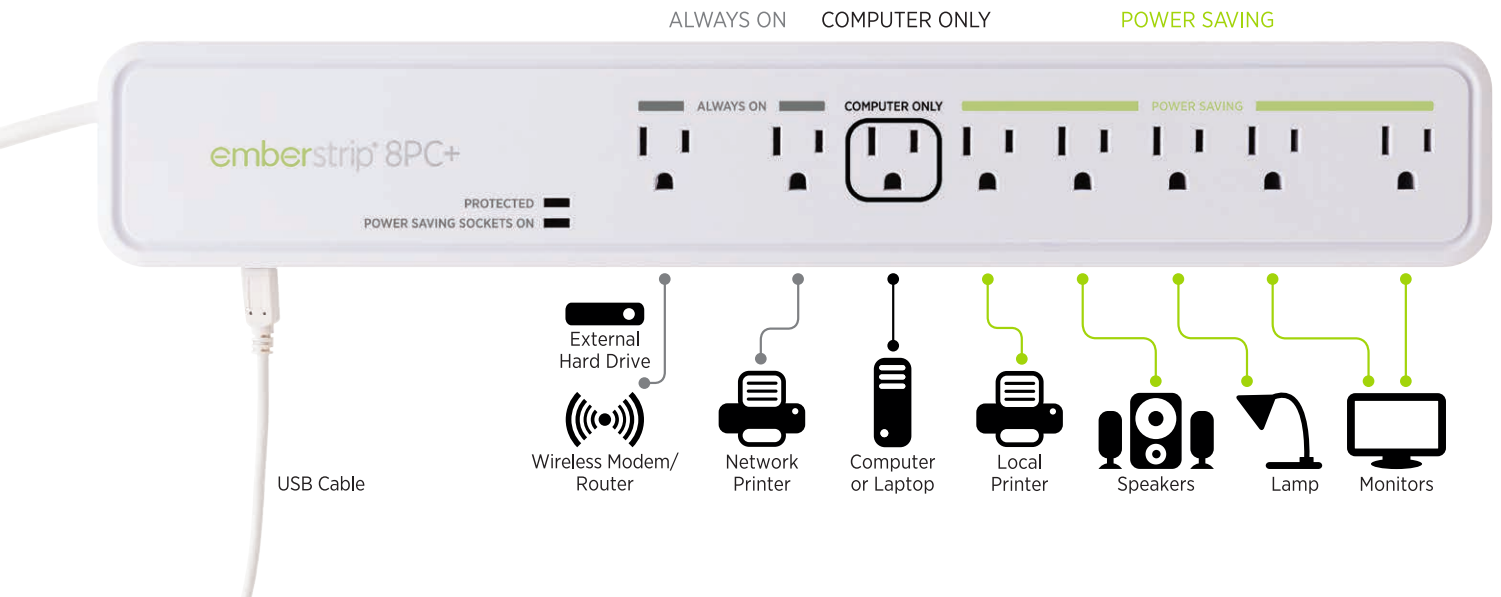
The Embertec Emberstrip® 8PC+ has a lifetime warranty. If it fails in normal use during its lifetime we will replace it. Embertec also provides a \$20,000 connected equipment warranty for all appliances connected directly to the Emberstrip® 8PC+.

Electrical specifications

Physical	
Dimensions:	16.5 in L x 2.72 in W x 1.57 in D (420 mm L x 69 mm W x 40 mm D)
Weight:	1.78 lbs (810 g)
Color:	White body
USB Cable Length:	9.8 ft (3 m)
Power Cord Length:	4 ft (1.22 m)
Number of Outlets: 8	Always On: 2 Power Saver: 5 Computer: 1
Environmental	
Temperature (operating):	32 °F to +158 °F (0 °C to +70 °C)
Temperature (storage):	-4 °F to +185 °F (-20 °C to +85 °C)
Humidity (operating):	95% RH at +122 °F (+50 °C)
Protection and Safety	
Surge Compliance:	UL 1449
Powerstrip Safety:	Underwriters Laboratories Tested and Listed to UL 1449 and UL 1363
Total Surge:	1,530 Joules / 39,000 Amps for all outlets
Input Current:	15 Amps RMS via circuit breaker
Over-Current Threshold:	15 Amps RMS
Electrical Durability	
Relay Endurance:	Over 100,000 switching cycles
Operating Voltage:	110 V AC +/- 10%
Maximum Output Current:	15 Amps RMS
Max Total Load:	1,800 W
Life Span:	> 20 years
Maximum Power Consumption (In all modes of operation)	< 1 W @ 110 V / 60 Hz
USB Control	
Requires Embertec PC+ Software installed on users PC.	

Due to continual improvement in design or otherwise, the product you purchase may differ slightly from the products shown in this information sheet.

Connection diagram



Suite 100, 2105 South Bascom Avenue, Campbell, CA 95008

Phone: 1-800-838-9659 Web: embertec.com

